

POWDERMATIC™ LITE M

- € Reduce your labour costs by letting the Powdermatic™ Lite M take care of the ingredient dosing
- 👉 By a press of a button, the Powdermatic™ Lite M doses small ingredients according to a recipe to collector boxes
- ⌚ Incredible dosing speed: up to 120 batches per hour



THE MARKET'S
FASTEST AUTOMATIC
**INGREDIENT
DOSING EQUIPMENT**
FOR INDUSTRIAL BAKERIES



POWDERMATIC™ LITE M

is the fastest automatic dosing equipment in the market designed for the precise, dust-free and uncontaminated dosing of small ingredients. By a press of a button, the Powdermatic™ unit doses a mixture of small ingredients according to a recipe to collector boxes.

THE POWDERMATIC™ LITE M

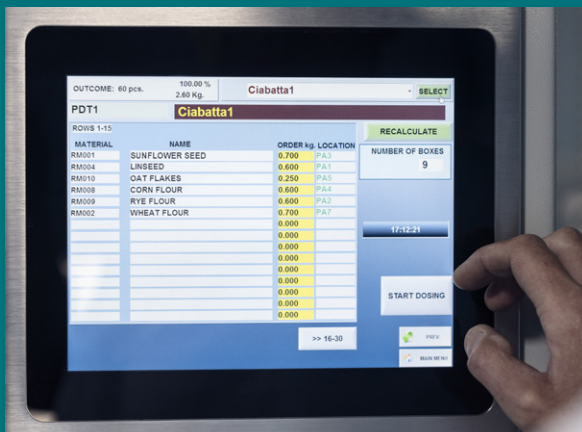
is especially suitable for industrial bakeries, where small ingredients are dosed manually, and food factories, where ingredient collector boxes are used in more than one mixer.

The Powdermatic™ Lite M is suitable for all types of ingredients including flour, salt, grains, seeds, flakes, free flowing powders and non-free flowing powders.

BENEFITS

- Precise, recipe-based dosing of small ingredients
- Automatic operation > significant labour cost savings
- Typical dosing accuracy: +/- 10 g
- Dosing capacity: up to 120 pcs of 10 kg batches per hour
- Excellent work ergonomics: floor-level operation
- Compact: does not take up a lot of floor space
- Dosing hopper volumes: 100 L or 200 L
- Plug&Dose™ operation
- Low installation cost
- User-friendly operating interface
- Meets occupational safety requirements
- Effective dust removal
- Economical: no changes required to current dosing system

FILLING THE CONTAINERS IS EASY AND ERGONOMIC. NO NEED FOR SERVICE PLATFORMS.



▲ RECIPE-CONTROLLED DOSING WITH A USER-FRIENDLY OPERATING INTERFACE. EQUIPPED WITH A DATABASE AND A PC LINK FOR QUALITY CONTROL.



▲ EFFECTIVE DUST EXTRACTION TO KEEP BAKERY CLEAN OF DUST.



ACHIEVE PRECISE DOSING AND COST SAVINGS

Due to precise and efficient dosing, the Powdermatic™ Lite M provides considerable labour cost and raw material savings and improves the consistency of your end product.

TRACE YOUR PRODUCTION

The Powdermatic™ Lite M also logs weighing events, allowing your product or product batch to be traced at a later time, if necessary.



OPTIONS



Box feeder for fully automatic feeding of boxes



Dust extraction unit with pipeline



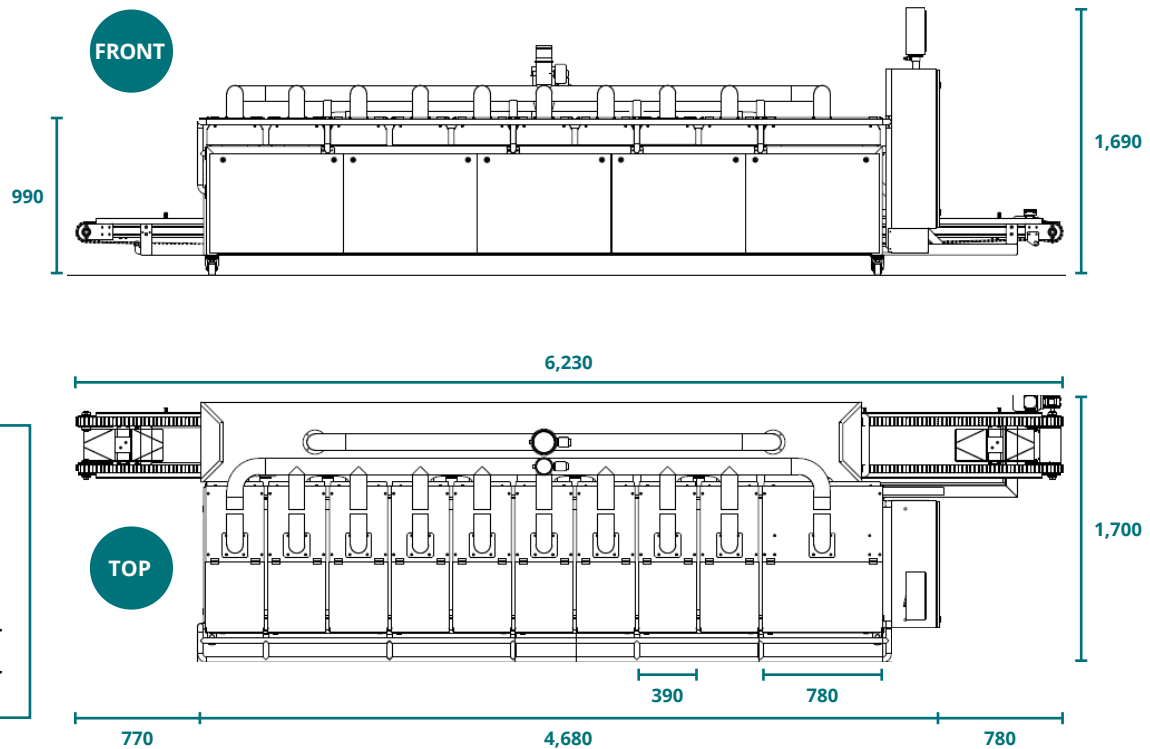
Printer for a printout of the contents of each filled transfer box



Conveyor belt for filled boxes. Tailored dimensions according to layout

SPEIFICATIONS

- **Dosing capacity:** up to 120 pcs of 10 kg batches per hour
- **Dosing accuracy:** typically +/- 10 g
- **Scale resolution:** 1 g
- **Dosing hopper volumes:** 100 L or 200 L
- **Amount and size of the dosing hoppers by the customer need:** for example 6 x 100 L and 1 x 200 L, 9 x 100 L and 2 x 200 L, 20 x 100 L
- **Dosing hopper material:** stainless steel
- **Transfer box standard sizes:** 20 L and 40 L
- **Support frame with wheels, mild steel**
- **10" touchscreen** with a user-friendly operating interface
- **Recipe-controller** with PC link and printer (optional)
- **Recipe memory:** 500 recipes
- **Remote service**
- **Automatic box feeding unit** for 10 boxes, optional
- **Dust extraction unit,** optional
- **Conveyor belt** for filled boxes, optional



MAIN DIMENSIONS

- Powdermatic Lite M for 10 ingredients
- 9 pc of 100 L container
- 1 pc of 200 L container



BATCH
120
PER HOUR



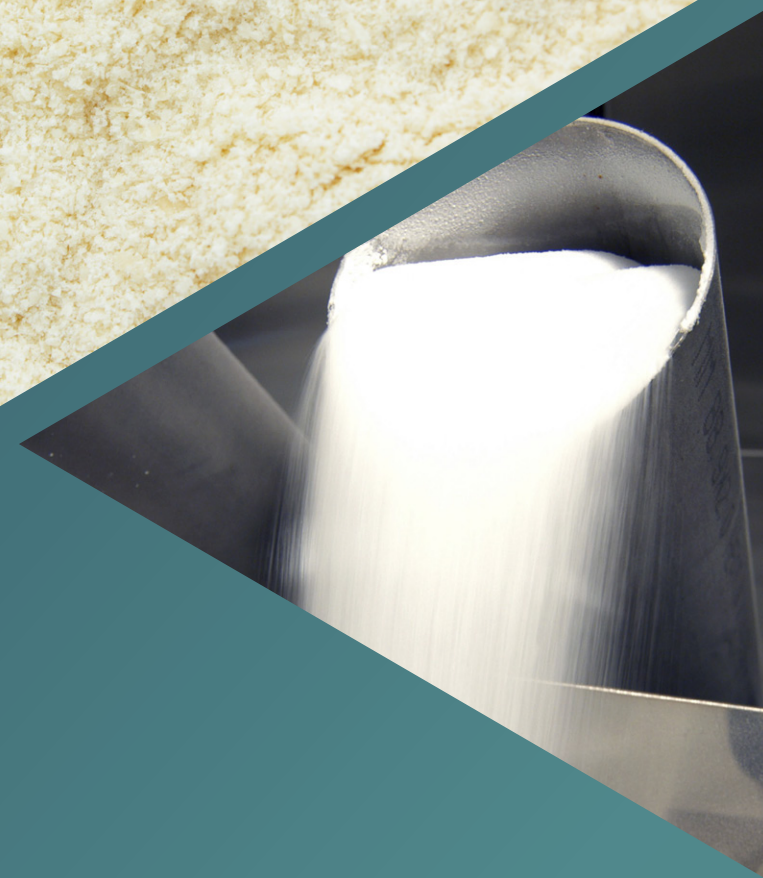
THE POWDERMATIC LITE M IS CAPABLE OF DOSING UP TO 120 BATCHES/HOUR TO FOOD-SAFE COLLECTOR BOXES



POWDER TECHNIC

INGREDIENT DOSING EXPERTISE

JAUHETEKNIikka



POWDER TECHNIC LTD (Jauhetekniikka Oy)
Alasuutarintie 22, 48400 Kotka, Finland

Tel: +358 9 8560 6207

Fax: +358 5 218 4290

Offer requests: sales@powdertechnic.com

www.powdertechnic.com